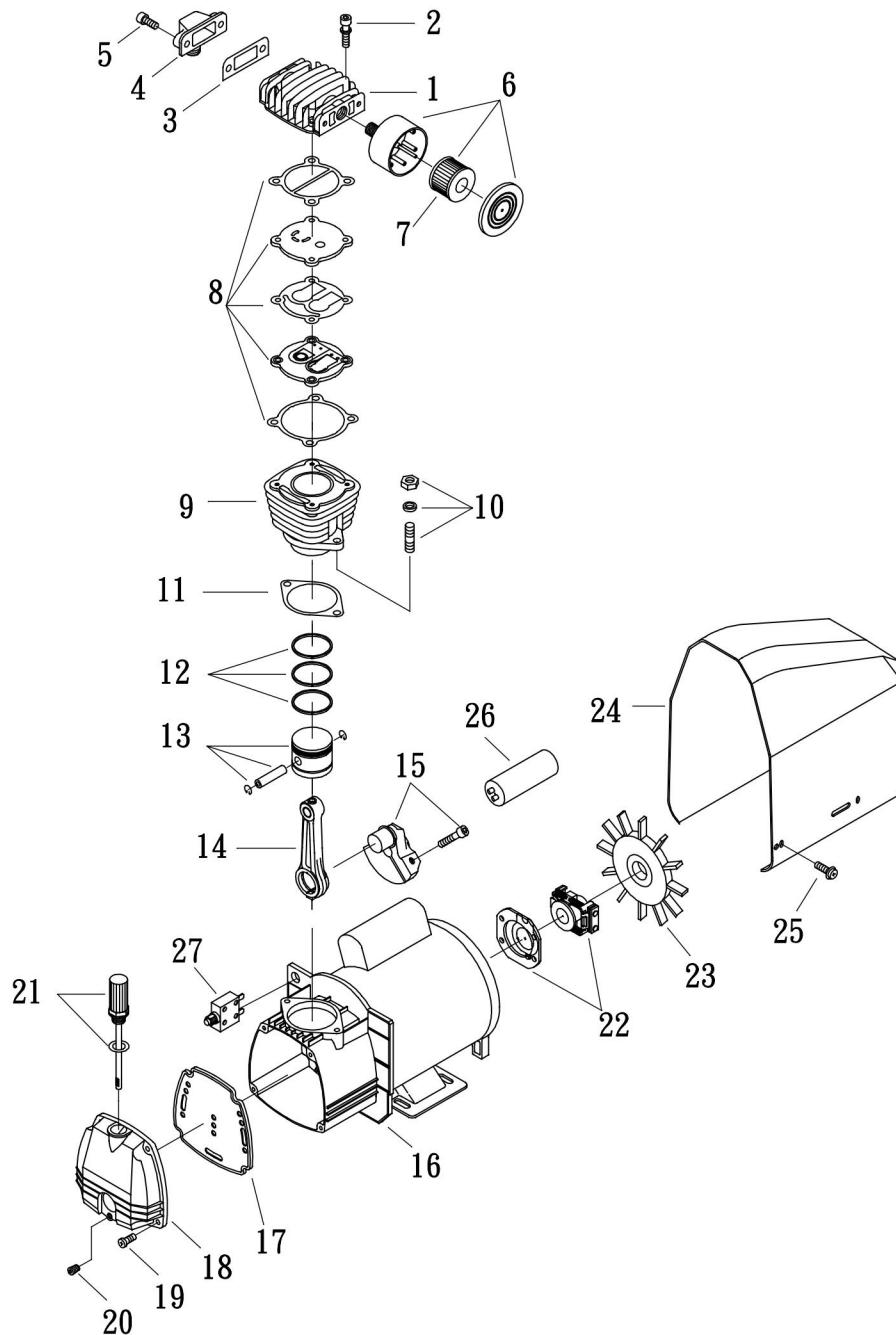


MODEL :DD-1508VP(Pump)

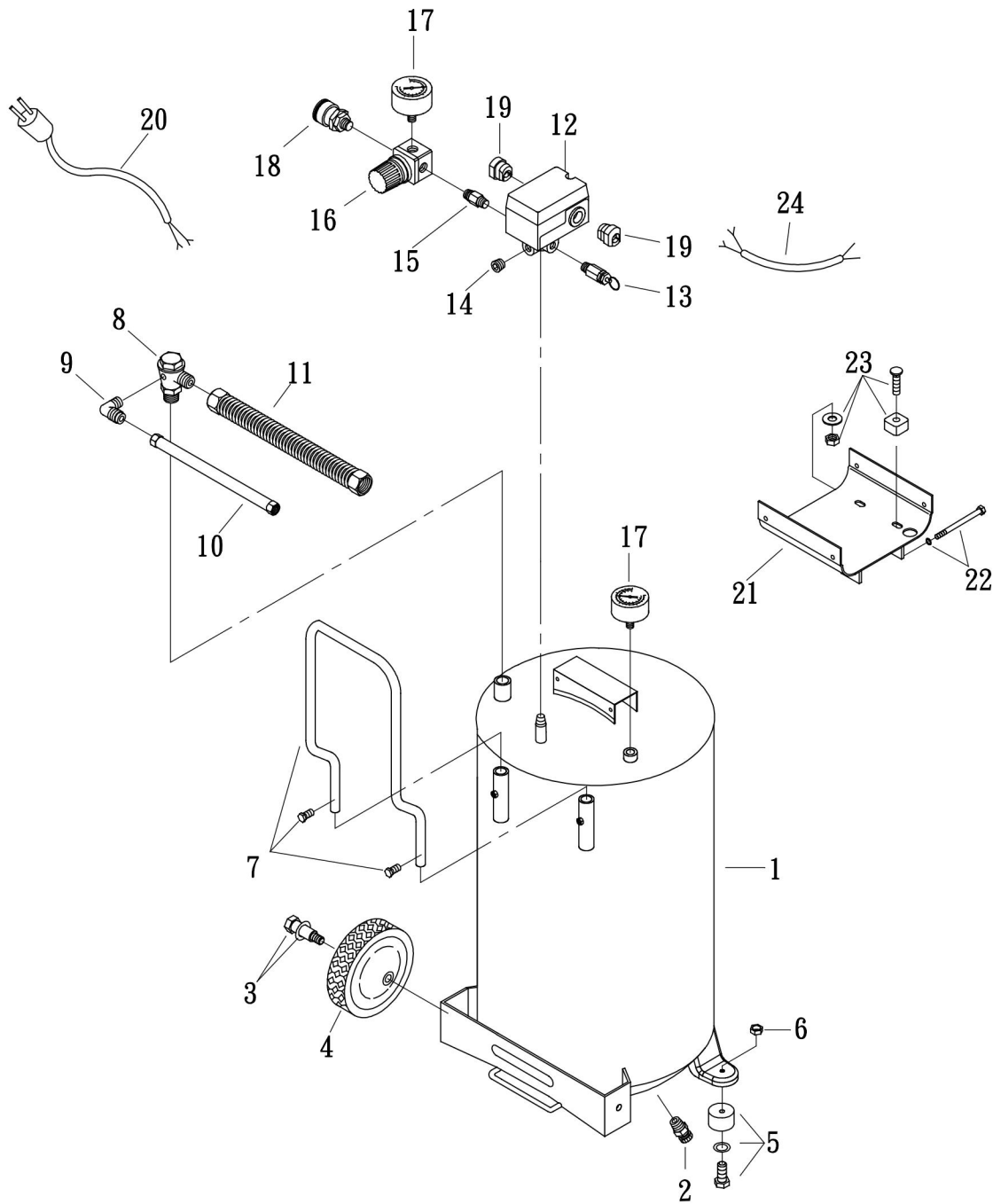


SPARE PARTS LIST

NO : MP-1910

REF. NO.	DESCRIPTION	PART NO.	QTY.	REF. NO.	DESCRIPTION	PART NO.	QTY.
1	Cylinder head	3101042	1	15	Crankshaft & balancer	3304076	1
2	Allen bolt set	3B01-M06*040V	4	16	Motor set	3B8-NC1002WA	1
3	Exhaust elbow gasket	2G09-001H	1	17	Front cover gasket	2G07-004A	1
4	Exhaust elbow	2N06-04H1	1	18	Front cover	3309022	1
5	Allen bolt	2B01-M08*020	2	19	Bolt	2B02-FM6*015	4
6	Air filter	2140019A	1	20	Plug	2B14-ST01E	1
7	Filter element	2142013	1	21	Dipstick set	2339008A	1
8	Inlet&Exhaust valve assembly	3B13-AC0747	1	22	Centrifugal switch set	2E24-14064P	1
9	Cylinder	3201006	1	23	Cooling fan	2336037-2	1
10	Double head screw set	3B11-008-A	2	24	Shroud	2428003	1
11	Cylinder gasket	2G04-015	1	25	Bolt	2B02-FM5*010WB	6
12	Piston ring set	3B32-47N	1	26	Starting capacitor	2E28-300F1240	1
13	Piston set	3B31-47	1	27	Thermal protector	2E25-15A	1
14	Rod	2315026	1				

MODEL :DD-1508VP(Receive Tank)



SPARE PARTS LIST

NO : MP-1910

REF. NO.	DESCRIPTION	PART NO.	QTY.	REF. NO.	DESCRIPTION	PART NO.	QTY.
1	Air tank	3401X034A	1	13	Pressure relief valve	2406018A	1
2	Ball valve	2405012	1	14	Plug	2B14-ST02E	1
3	Tank wheel bolt set	3418001-R	2	15	Nipple	2N01-02N02N050	1
4	Tank wheel	2402054	2	16	Regulator	2408008LNX	1
5	Rubber pad set	3433013-A	2	17	Pressure gauge	2D12-15D15KS	2
6	Hexagon head nut	2B20-FM08	2	18	Quick coupler	07MS01/4M-B	1
7	Grip set	3432081A-A	1	19	Strain relief bushing	2E04-010	3
8	Check valve	2414025	1	20	Power cable	2E01-012	1
9	Unloading elbow	2N06-01T02H	1	21	Base	3403144	1
10	Unloading tube set	3B2-02*280F	1	22	Hexagon bolt set	3B01-M06*075V	1
11	Exhaust tube set	3B2-04*420	1	23	Motor feet bolt set	3B08-FM08*30-A	4
12	Pressure switch	2E21-AA276AP	1	24	Cable	2E02-2030502Y2T	1